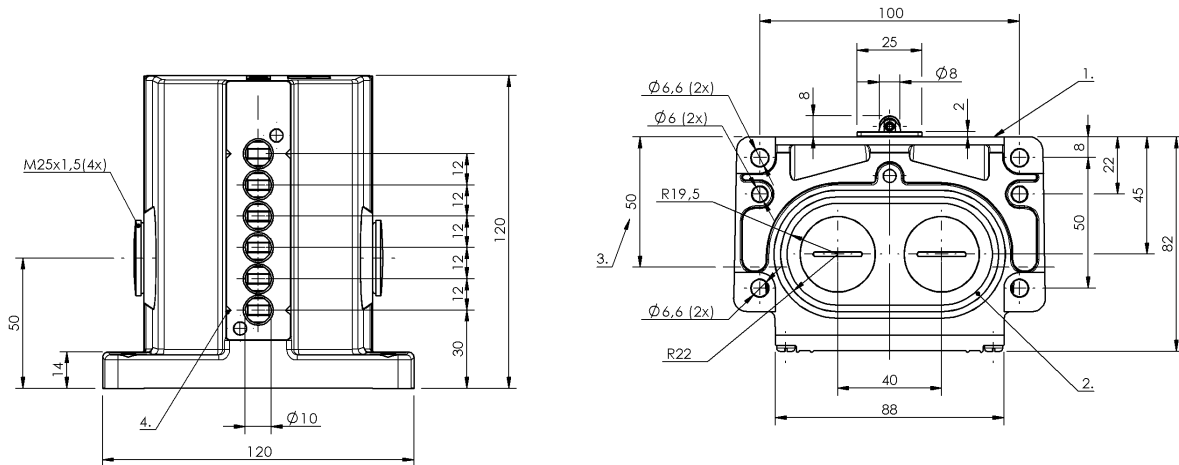


Mechanical Cam Switches  
**BNS 813-D06-L12-100-55-1084**  
**Order Code: BNS014K**

**BALLUFF**



1) Reference edge, 2) Sealing ring, 3) Cable passage, 4) Mark. Safety switch position



**Basic features**

<b>Approval/Conformity</b>	CE UKCA CCC WEEE
<b>Basic standard</b>	IEC 60947-5-1
<b>DIN switch</b>	DIN 43697
<b>Operating principle</b>	1-6. Switch position: Mechanical
<b>Version</b>	Safety EN 60204-1

**Display/Operation**

<b>Function indicator</b>	1-6. Switch position: None
---------------------------	----------------------------

**Electrical connection**

<b>Connection type</b>	1-6. Switch position: Screw terminal
------------------------	--------------------------------------

**Electrical data**

<b>Continuous current</b>	1-6. Switch position: 6 A
<b>Rated operating voltage Ue</b>	1-6. Switch position: 250 V AC
<b>Switching rate</b>	1-6. Switch position: 300/min

**Environmental conditions**

<b>Ambient temperature</b>	-5...85 °C
<b>IP rating</b>	IP67

**Functional safety**

<b>B10d (EN ISO 13849-1)</b>	BSE 30.0: 30 mil. switching cycles BSE 61: 30 mil. switching cycles
------------------------------	--

**Material**

<b>Housing material</b>	Aluminium, Anodized
<b>Housing material, surface protection</b>	Anodized
<b>Material contacts</b>	1. Switch position: Silver 2-5. Switch position: Silver, gold plated 6. Switch position: Silver
<b>Plunger material</b>	1-6. Switch position: 1.4034 stainless steel

Mechanical Cam Switches  
**BNS 813-D06-L12-100-55-1084**  
**Order Code: BNS014K**

**BALLUFF**

**Mechanical data**

<b>Approach direction</b>	longitudinal, parallel to attachment surface
<b>Approach speed</b>	1-6. Switch position: 120 m/min
<b>Distance cam - reference edge</b>	1-6. Switch position: 4.50...5.00 mm
<b>Flange, feed-through</b>	2 threaded exit M25
<b>Installation</b>	Vertical
<b>Life expectancy mechanical</b>	1-6. Switch position: 30 mil. switching operations
<b>Number of switching positions</b>	6x Roller bearing Mechanical

**Plunger style**

1-6th switch position: Roller bearing

**Switch actuation force**

1. Switch position: 15 N  
 2-5. Switch position: 20 N  
 6. Switch position: 15 N

**Switching element**

1. Switch position: BSE 61  
 2-5. Switch position: BSE 30.0  
 6. Switch position: BSE 61

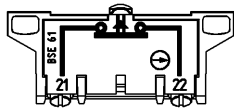
**Range/Distance**

**Reproducibility**

1-6. Switch position: ±0.01 mm

**Wiring Diagrams**

BSE 61



BSE 30.0

